

ASSEMBLY INSTRUCTIONS



PARTS LIST

DESCRIPTION	QTY
A. Top Corner Piece with Foam Grips	2
B. Bottom Corner Pieces	2
C. Bridge Arm	4
D. Retaining Chain	2
E. Chain Bracket	2
F. Mounting Blocks	3
G. Small Black Dome Caps	36
H. Towel Holder	1
I. #8 x 1 1/4" Wood Screws	12
J. #10 x 5/8" Metal Screws	32
K. #8 x 5/8" Wood Screws (Not Shown)	6

Tools Needed: Power/Cordless Drill with phillips bit and a tape measure.

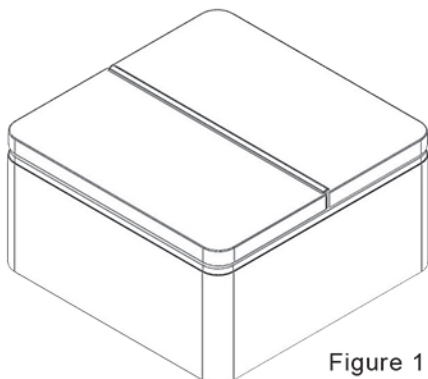
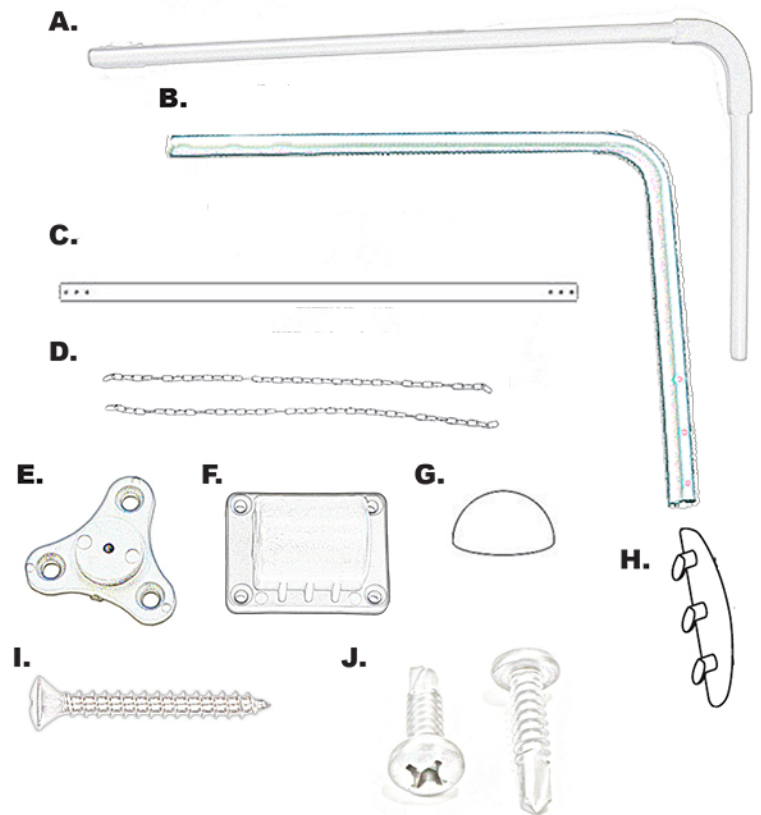
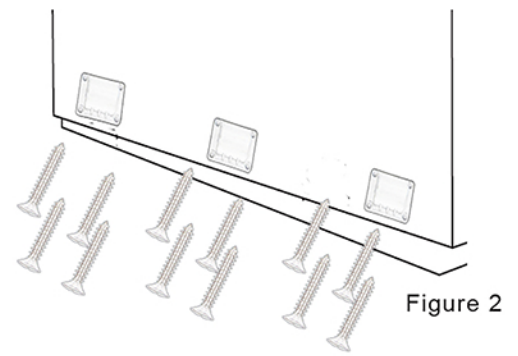


Figure 1

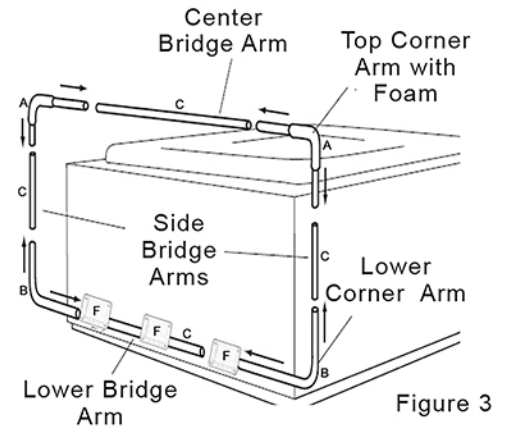
Installation Instructions

- 1 Position the spa cover in the closed position on the spa, making sure that all four corners are square on the spa. (See Figure 1).

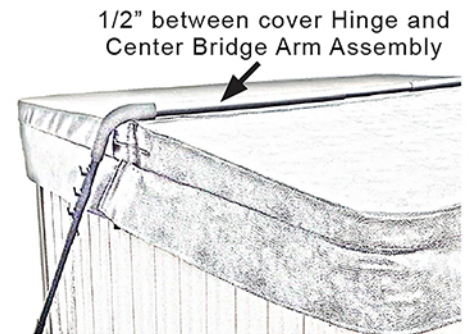
2 Using the **#8 x 1-1/4" mounting screws (I)**, attach the **Mounting Brackets (F)** to the back side of the spa. Space the Mounting Brackets evenly across the width of the spa. (See Figure 2).
CAUTION: To prevent splitting of wood cabinet, pre-drill holes with a 1/16" drill bit.



3 Insert the long end of the **Lower Corner Arms (B)** into the **Mounting Brackets** to the back side of the spa (see Figure 3). Next, insert the **Center Bridge Arm (C)** into the **Top Corner Arms (A)**. Then join the **Top Corner Arm** sections to the **Lower Corner Arm** sections, sliding the **Side Bridge Arms (C)** into the short portion of the **Corner Arms**.
Note: Place a **#10 self tapping screw (J)** into the **Lower Support Arm** next to the outside edge of each **Mounting Bracket**. This will prevent the Lifter from sliding left or right.



4 With the top section of the Lifter laying on the spa cover, adjust and center the **Center Bridge Arm** and **Top Corner Support Arms** so that the **Bridge Arm** is lying parallel to the spa cover's hinge about 1/2" away (See figure 4). Position the **Side Bridge Arms** in the center of the **Top and Lower Corner Arms** and attach with the **#10 self-tapping screws (J)**. Using the **#10 self-tapping screws**, fasten all **Corner Arms** and **Bridge Arms** together.



5 After assembling the Lifter, move to the upright and vertical position. Using a **#8 x 5/8" mounting screw**, attach the **Chain Bracket** to the wood skirt of the spa. Then using a **#10 mouning screw**, attach the end of the chain to the center of the **Chain Bracket**. Next, position the opposite end of the **Retaining Chain** on the **Side Bridge Arm** so that it is in a horizontal, level position and attach using a **#10 self-tapping screw** (See Figure 5).

Figure 4

Snap the black plastic **Dome Screw Caps (G)** on.

6 Attach the provided 3 hook **Towel Holder (H)** on the preferred side of your Lifter by simply snapping it into place and inserting the middle self-tapping screw (See Figure 6).

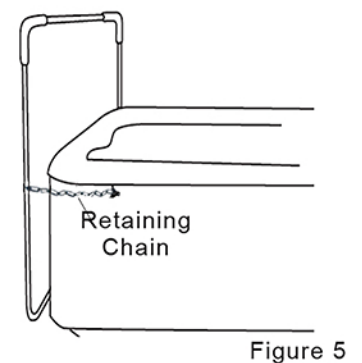


Figure 5

To open your spa cover, flip your spa cover back over the support bar that lays across the cover by the cover seam. Taking hold of the top corner of the lifter, lift the bar towards the back of the spa until the spa cover is hanging in a slightly over- vertical position.

To close your spa cover, take hold of the top corner of the lifter and pull down towards the middle of the spa. Once the spa cover is lying on the spa, take hold of the top half of the cover pulling it up an forward to close the cover completely over the spa.

DO NOT USE your lifter in high wind condition (more than 10mph). Injury from the spa cover being blown over and impacting the spa user can occur.

DO NOT leave lift open when not in use.

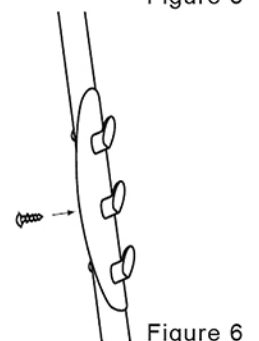


Figure 6