

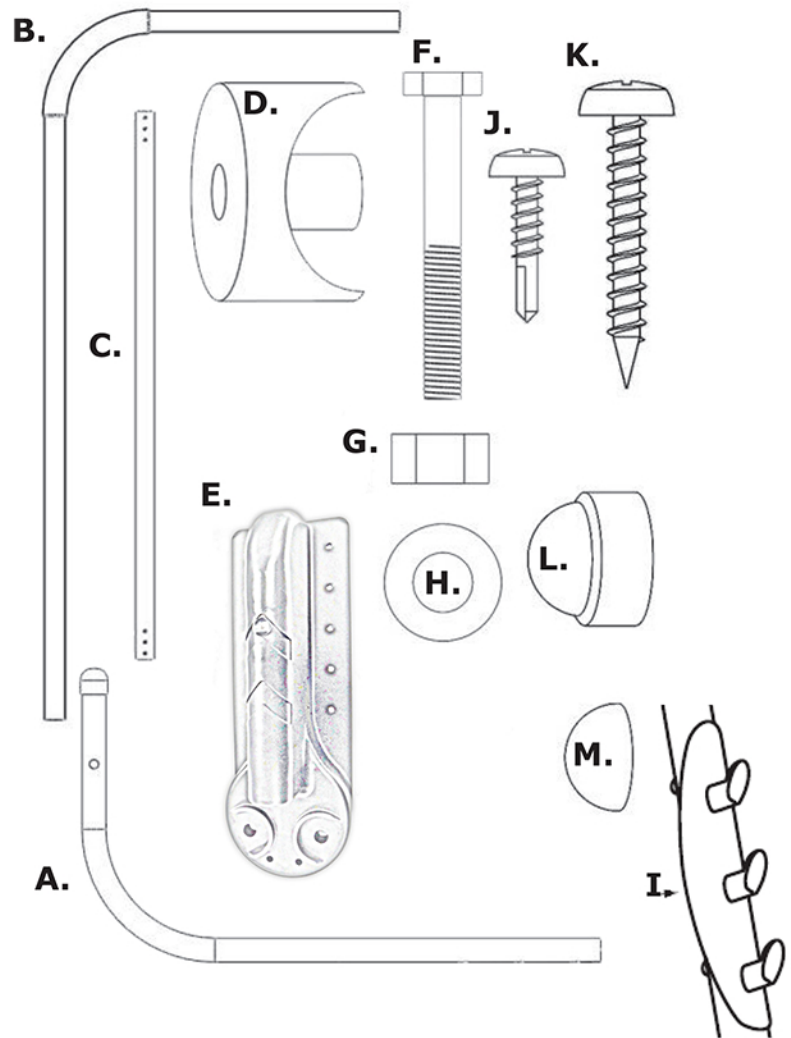
### ASSEMBLY INSTRUCTIONS



#### PARTS LIST

DESCRIPTION	QTY
A. Pivot Arm	2
B. Cover Support Arm	2
C. Center Coupler	1
D. Bushing	4
E. Mounting Bracket	2
F. 3/8" x 3" Hex Cap Bolt	2
G. 3/8" Lock Nut	2
H. 3/8" Flat Washer	4
I. Towel Holder	1
J. #10 x 5/8" Self Tapping Screws	14
K. #10 x 1" Mounting Screws	20
L. Large Black Dome Caps	2
M. Small Black Dome Caps	38
7/16" Plug (Pre-Installed)	2
#10 x 1 3/4" Mounting Screw	4
Foam Grip (Pre-Installed)	2
Pivot Arm Cap (Pre-Installed)	2

**Tools Needed:** Power/Cordless Drill with phillips bit and a tape measure.



# Installation Instructions

**1** Position the spa cover (*in the closed position*) on the spa, making sure that all four corners are properly positioned and square on the spa. See Figure 1.

**2** Before attaching the right & left **Mounting Brackets (G)** to the appropriate side of the spa, place the brackets where you will want them positioned on the spa and mark the holes with a marker. (SEE PRO TIP)

**CAUTION:** To prevent splitting a wood cabinet, pre-drill holes with a 1/16" drill bit

## PRO TIP

If you want 75% of the spa cover standing above spa surface in the open position, place the **Mounting Brackets (G)** 8" (20cm) down from the top of the spa shell and approximately 9" (23cm) clearance behind the spa will be needed.

If you want 50% of the spa cover standing above spa surface in the open position, place the **Mounting Brackets** 12" (30cm) down from the top of the spa shell, approximately 15" (38cm) clearance behind the spa will be needed.

**3** Attach the **Mounting Brackets (E)** to the left and right sides of the spa with the **#10 x 1" Mounting Screws**. See Figure 2.

**4** Connect the **Pivot Arm (A)** and two **Bushings (D)** to the **Mounting Brackets (E)**, using one **3/8" x 3" Hex Cap Bolt (F)**, two **3/8" Flat Washers (H)**, and one **3/8" Nylon Locknut (G)**, as shown in Figure 3.

**Note:** If necessary, slide a 3/8" Wrench behind the **Mounting Bracket (E)** to tighten the **3/8" Nylon Locknut (G)**.

**5** Repeat Step 4 for the other side of the spa. After installing the **Pivot Arms (A)**, tilt them into the upright position. See Figure 4.

Figure 1

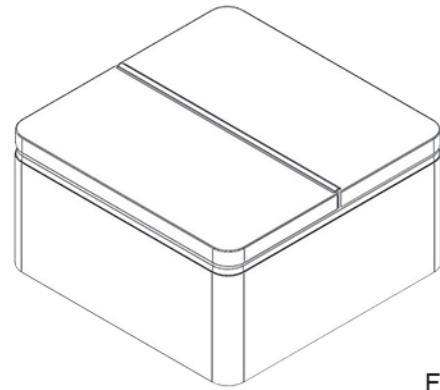


Figure 2

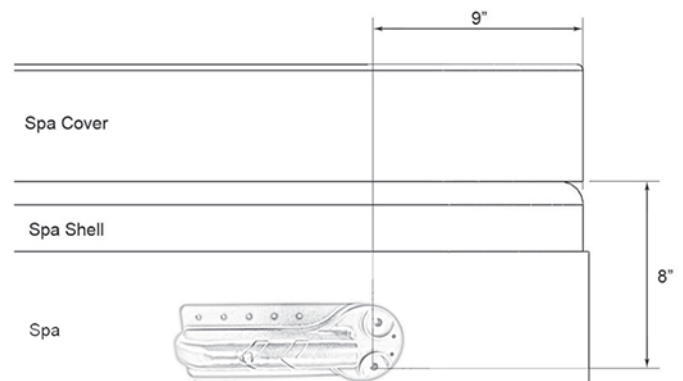


Figure 3

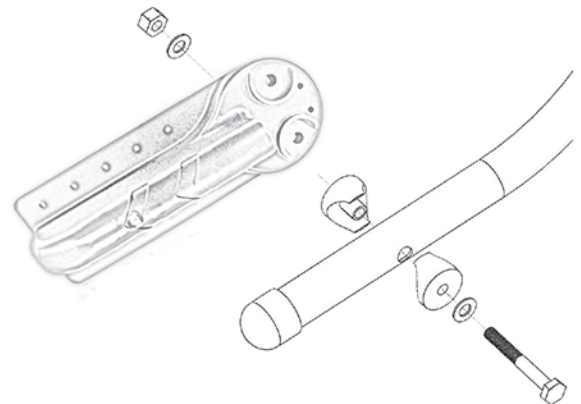
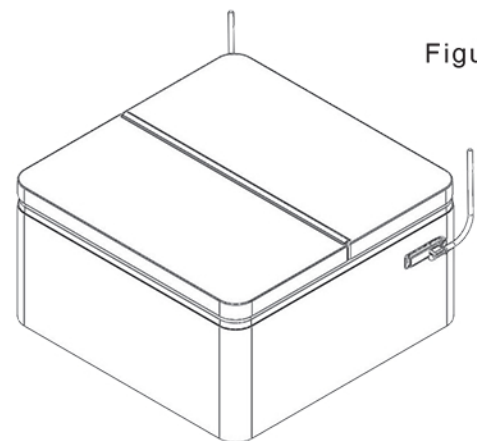


Figure 4



**6** Insert the long arms of the **Support Arms (B)** into the ends of the **Center Coupler (C)** as shown in *Figure 5*.

**Note:** For narrow covers, flip the **Support Arms (B)** and insert the short side of the **Support Arm (B)** into the **Center Coupler (C)**.

**7** Insert the short arms of the **Support Arms (B)** into the **Pivot Arms (A)**. See *Figure 6*.

**8** Lay the Lifter on the spa cover, see *Figure 7A*. Adjust the **Center Coupler Assembly** and the **Support Arms (B)** so that the **Center Coupler Assembly** is lying parallel to the spa cover hinge approximately 1/2" away. See *Figure 7B*.

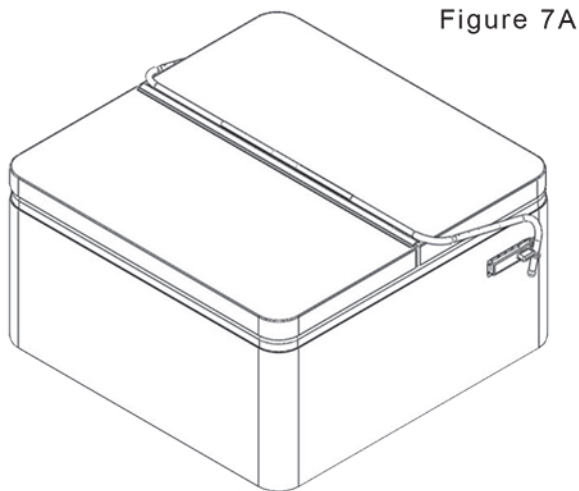


Figure 7A

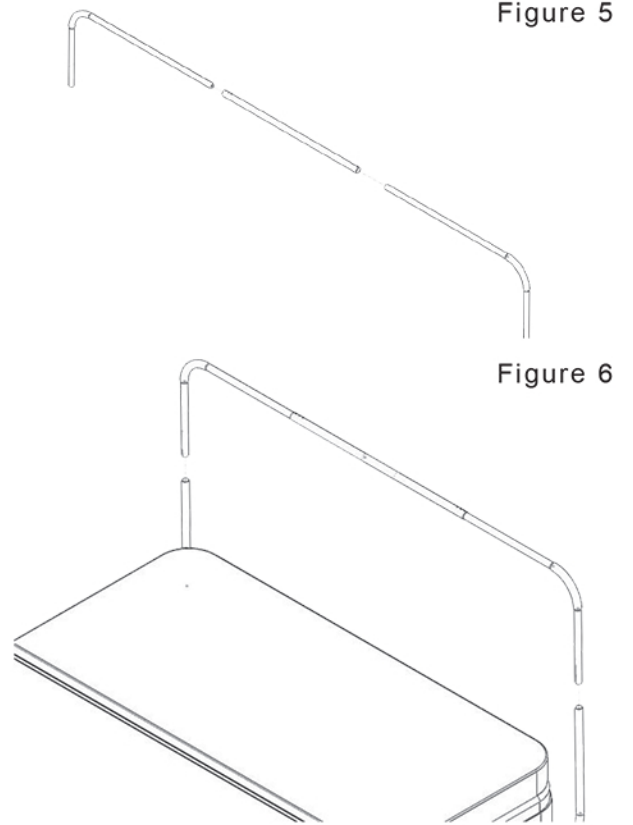


Figure 5

Figure 6

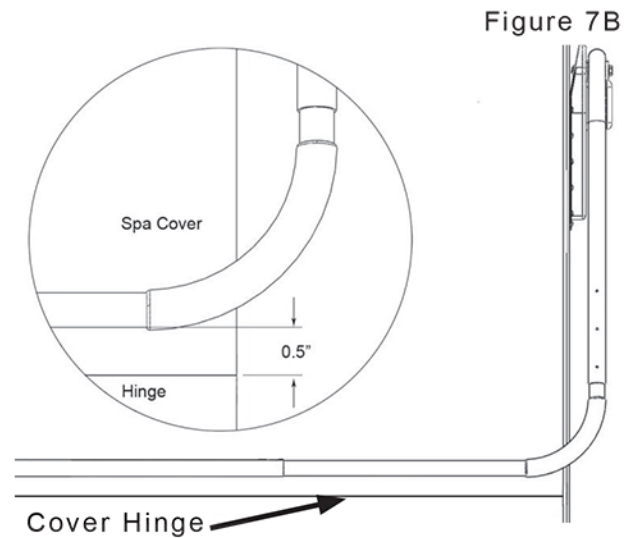


Figure 7B

**9** Using the **#10 x 5/8" Self Tapping Screws (J)** to fasten the **Support Arms (B)** to the **Pivot Arms (A)** and the **Center Coupler (C)**. See *Figure 8*.

**Note:** Be sure to rotate the Center Couplers so that the inserted screws are horizontal, with the heads facing the back of the spa, where the cover will be stowed.

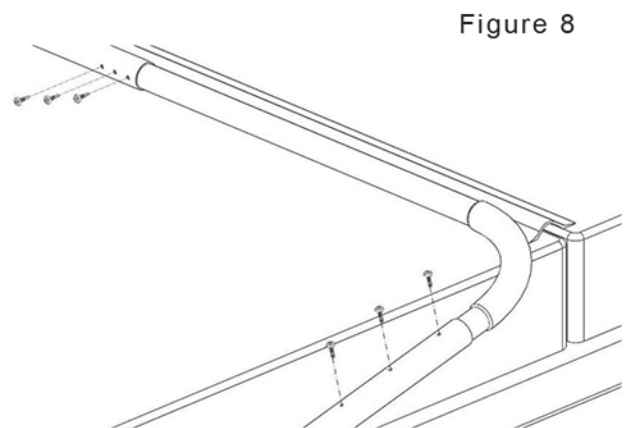


Figure 8

**10** Press the decorative **Large Black Dome Caps (L)** over the heads of the **3/8" x 3" Hex Cap Bolts**. Then press the decorative **Small Black Dome Caps (M)** over the heads of all exposed **#10 screws (J and K)**. You may need a small amount of glue/epoxy depending on the climate. See *Figure 9*.

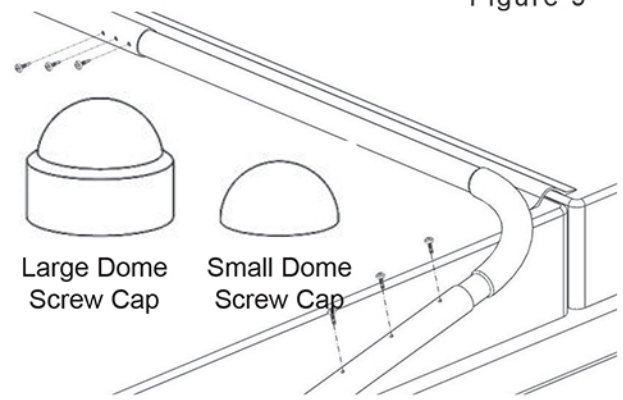


Figure 9

**11** Attach the provided **3-Hook Towel Holder (I)** on the preferred side of your cover lift by simply snapping it into place and inserting the middle **Self-Tapping Screw (L)**. See *Figure 10*.

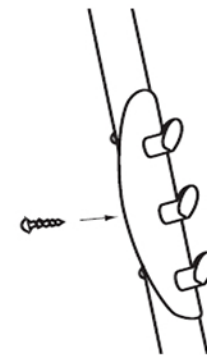


Figure 10

## How to Use

### How to OPEN your spa cover

1. Fold spa cover onto itself.
2. Lift the Lifter and spa cover to upright position by lifting at the **Foam Grip** on the **Support Arm (B)**, while supporting the middle of the cover with the other hand. The **Pivot Arm** will stop when it contacts the **Mounting Bracket (E)**.

### How to CLOSE your spa cover

1. With the spa cover in the upright position, hold the **Foam Grip** on the **Support Arm (B)**, and slowly guide the cover and Lifter onto the spa shell. **NEVER** allow the spa cover to fall onto the spa shell unassisted, as it can cause damage to your Lifter, spa, and/or spa cover!
2. Unfold the spa cover off itself and engage the spa cover locks if available.

**CAUTION: DO NOT USE THE COVER LIFT IN HIGH WIND CONDITIONS. DOING SO COULD CAUSE THE COVER TO FALL. DAMAGE TO THE SPA/COVER/COVER LIFT, OR INJURY TO THE OCCUPANTS MAY OCCUR. NEVER LEAVE AN UNCOVERED HOT TUB OR SPA UNATTENDED.**

